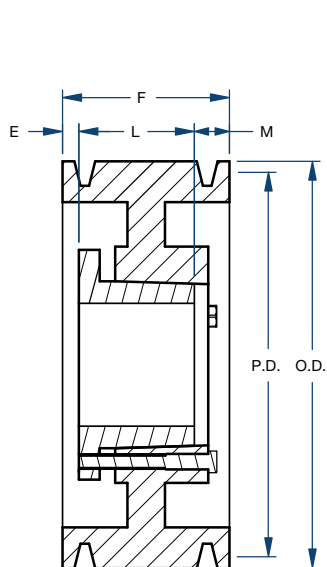
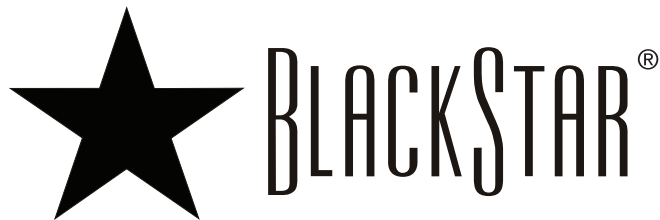
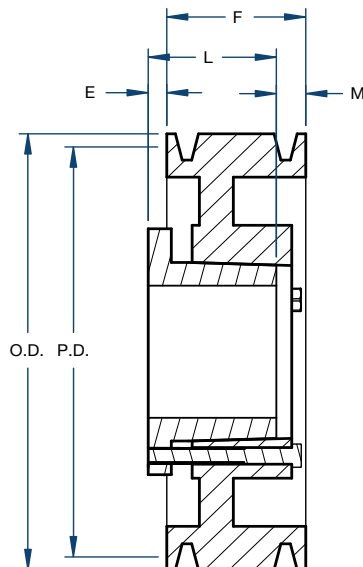


# Sheaves

## 3V SERIES 10 GROOVE/QD



Type A



Type D

Part Number	Bushing	Bore Range	Type	Diameter (in)		Dimensions (in)				Weight less Bushing (lbs)
				Pitch	Outside	E	F	L	M	
10-3V475SK	SK	1/2 – 2-5/8	D	4.70	4.75	21/32	4-11/32	1-15/16	3-1/16	8.3
10-3V500SK	SK	1/2 – 2-5/8	D	4.95	5.00	21/32	4-11/32	1-15/16	3-1/16	9.5
10-3V530SK	SK	1/2 – 2-5/8	A	5.25	5.30	21/32	4-11/32	1-15/16	1-3/4	10.2
10-3V560SK	SK	1/2 – 2-5/8	A	5.55	5.60	21/32	4-11/32	1-15/16	1-3/4	11.4
10-3V600SK	SK	1/2 – 2-5/8	A	5.95	6.00	21/32	4-11/32	1-15/16	1-3/4	14.5
10-3V650SK	SK	1/2 – 2-5/8	A	6.45	6.50	21/32	4-11/32	1-15/16	1-3/4	17.5
10-3V690SK	SK	1/2 – 2-5/8	A	6.85	6.90	21/32	4-11/32	1-15/16	1-3/4	20.0
10-3V800SF	SF	1/2 – 2-15/16	A	7.95	8.00	21/32	4-11/32	2-1/16	1-5/8	24.0
10-3V1060E	E	7/8 – 3-1/2	A	10.55	10.60	3/32	4-11/32	2-3/4	1-1/2	30.2
10-3V1400E	E	7/8 – 3-1/2	A	13.95	14.00	3/32	4-11/32	2-3/4	1-1/2	42.8
10-3V1900E	E	7/8 – 3-1/2	A	18.95	19.00	3/32	4-11/32	2-3/4	1-1/2	64.0
10-3V2500F	F	1 – 4	D	24.95	25.00	1/32	4-11/32	3-3/4	5/8	99.0
10-3V3350F	F	1 – 4	D	33.45	33.50	1/32	4-11/32	3-3/4	5/8	158.0